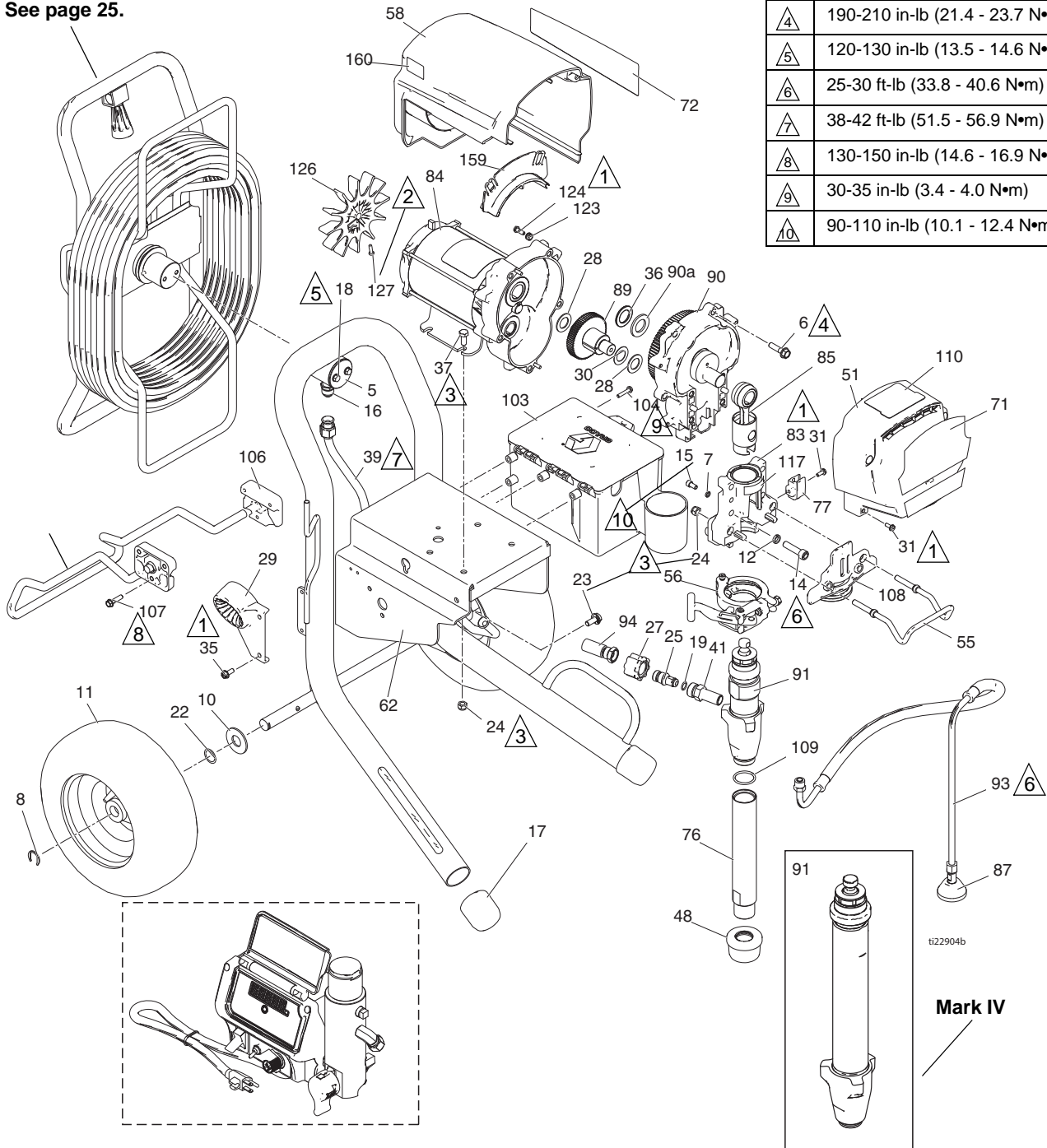


695/795/MARK IV ProContractor

Ref.	Torque
△1	40-45 in-lb (4.5 - 5.0 N•m)
△2	9-11 in-lb (1.0 - 1.2 N•m)
△3	200-230 in-lb (22.6 - 25.9 N•m)
△4	190-210 in-lb (21.4 - 23.7 N•m)
△5	120-130 in-lb (13.5 - 14.6 N•m)
△6	25-30 ft-lb (33.8 - 40.6 N•m)
△7	38-42 ft-lb (51.5 - 56.9 N•m)
△8	130-150 in-lb (14.6 - 16.9 N•m)
△9	30-35 in-lb (3.4 - 4.0 N•m)
△10	90-110 in-lb (10.1 - 12.4 N•m)

See page 25.










See pages 22 - 24.

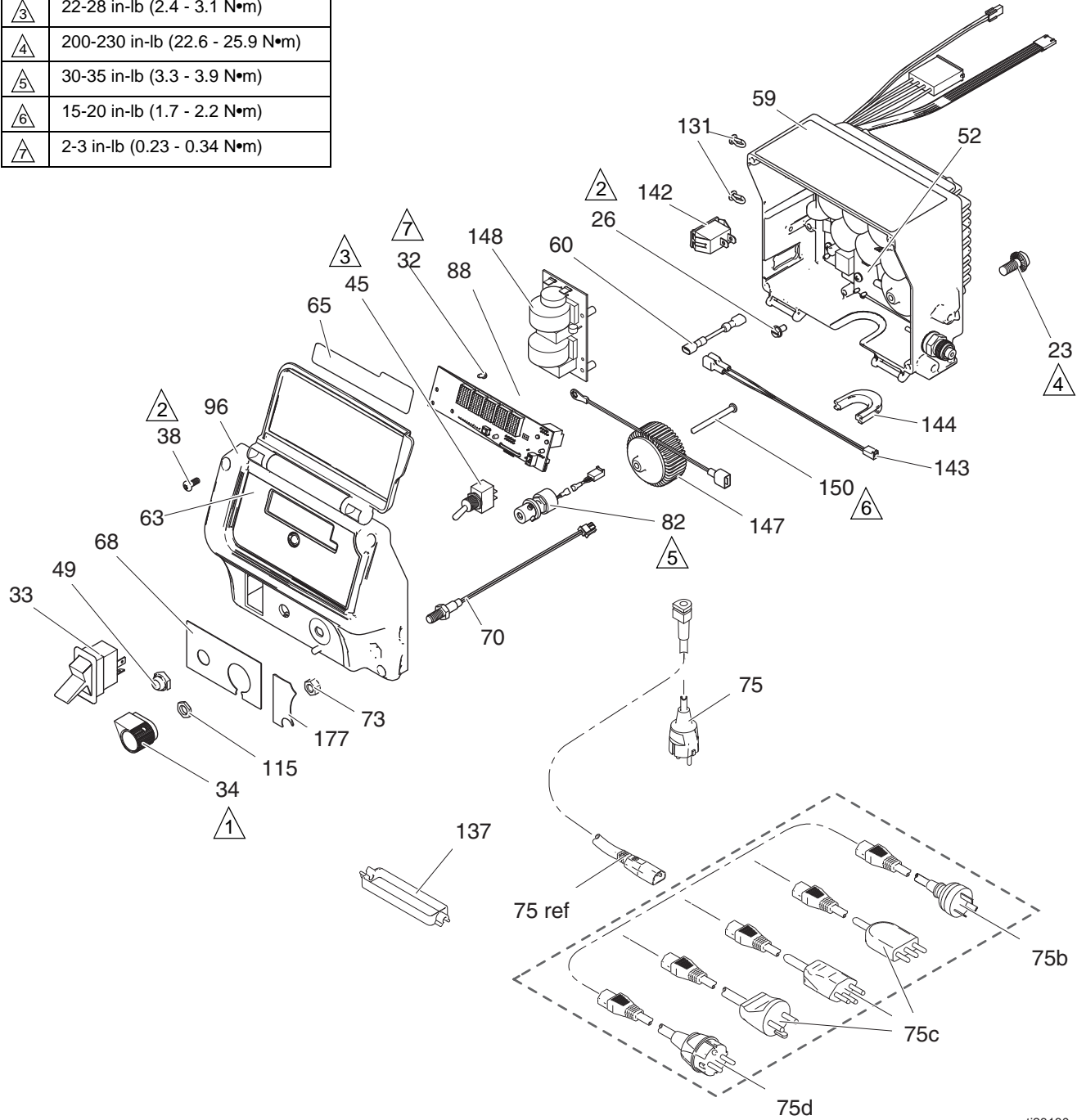
695/795/MARK IV ProContractor Parts List

Ref.	Part	Description	Qty.	Ref.	Part	Description	Qty.
5	16C975	PLATE, pivot	1	83	24V087	HOUSING, bearing; <i>includes 7, 12, 14, 15, 24, 31, 55, 56, 77, 108, 117</i>	1
6	15C753	SCREW, mach, hex wash hd	5				
7	105510	WASHER, lock, spring	2	84		MOTOR, electric	1
8	15E891	CLIP, retaining	2		257185	695/Mark IV	
10	156306	WASHER, flat	2		257186	795	
11	119420	WHEEL, pneumatic	2	85	24V084	ROD, connecting	1
12	106115	WASHER, lock (hi-collar)	4	87	241920	DEFLECTOR, threaded	1
14	110141	SCREW, cap, sch	4	89	287289	GEAR, combination;	1
15	101550	SCREW, cap, sch	2			<i>includes 28, 30</i>	
16	121311	FITTING, connector	1	90		HOUSING, drive, M1;	1
17	276974	CAP, leg	2			<i>includes 6, 36, 90a</i>	
18	260212	SCREW, hex washer hd	2		24V032	695/Mark IV	
19		PACKING, o-ring	1		24V033	795	
	107505	695/795		90a	107089	WASHER, race, thrust	1
	102982	Mark IV		91	16X414	PUMP, displacement, 695/795;	1
22	116038	WASHER, wave spring	2			<i>includes 41, 109</i>	
23	117791	SCREW, cap tri lobe	2		16X418	PUMP, displacement, Mark IV	
24	111040	NUT, lock, nylon, thin pattern	6	93	244240	HOSE, drain, ultra hi-boy;	1
25	16X833	FITTING, QD, 695/795	1			<i>includes 87</i>	
27	120583	NUT, hand, 695/795	1	94		HOSE, coupled	1
28	114672	WASHER, thrust	2		16X904	695/795	
29	278083	GUIDE, hose, platinum	1		24V029	Mark IV; <i>includes 19</i>	
30	114699	WASHER, thrust	1	103	287253	TOOL BOX; <i>includes 104</i>	1
31	118444	SCREW, mach, slot hex wash hd	5	104	118852	SCREW, thd forming, hex	3
35	117633	SCREW, slot hex wash hd	2			washer hd	
36	116191	WASHER, thrust, 1095/795	1	105	16X697	HANGER, stand	1
37	100057	SCREW, cap, hex hd	4	106	15C982	CAM, cart	2
39	24V095	TUBE, formed, ultra, platinum	1	107	114531	SCREW, mach, hex washer hd	4
41		FITTING	1	108	16X228	SHIELD, pump rod	1
	16Y579	695/795		109	118494	PACKING, o-ring	1
	16X834	Mark IV		110	16X981	LABEL, ProContractor Series	1
48	189920	STRAINER, (1-11 1/2 npsm)	1	117	187437	LABEL, torque	1
51	24V023	COVER, drive, plastic, painted;	1	123	276980	GROMMET, cover	2
		<i>includes 31</i>		124	119250	SCREW, shoulder	2
55	16C457	HANGER, pail	1	126	15D088	FAN, motor	1
56	16X322	CLAMP, pump	1	127	115477	SCREW, mach, torx pan hd	1
58		SHIELD, motor, painted;	1	128▲	222385	TAG, warning (not shown)	1
		<i>includes 123, 124</i>		159	278075	BRACKET, wire	1
	287281	695/Mark IV		160	15Y118	LABEL, Made in the USA	1
	287282	795					
62	24Y427	FRAME, platinum, 695/795	1				
71		LABEL, brand, front	1				
	16X364	695					
	16X367	795					
	16X357	Mark IV					
72		LABEL, brand, side	1				
	16X365	695					
	16X366	795					
	16X354	Mark IV					
76	248214	TUBE, intake; <i>includes 109</i>	1				
77	16X203	CLIP, drain line	1				

▲ Extra Danger and Warning tags and labels available free.

Control Box

Ref.	Torque
	10-15 in-lb (1.1 - 1.7 N•m)
	40-45 in-lb (4.5 - 5.0 N•m)
	22-28 in-lb (2.4 - 3.1 N•m)
	200-230 in-lb (22.6 - 25.9 N•m)
	30-35 in-lb (3.3 - 3.9 N•m)
	15-20 in-lb (1.7 - 2.2 N•m)
	2-3 in-lb (0.23 - 0.34 N•m)



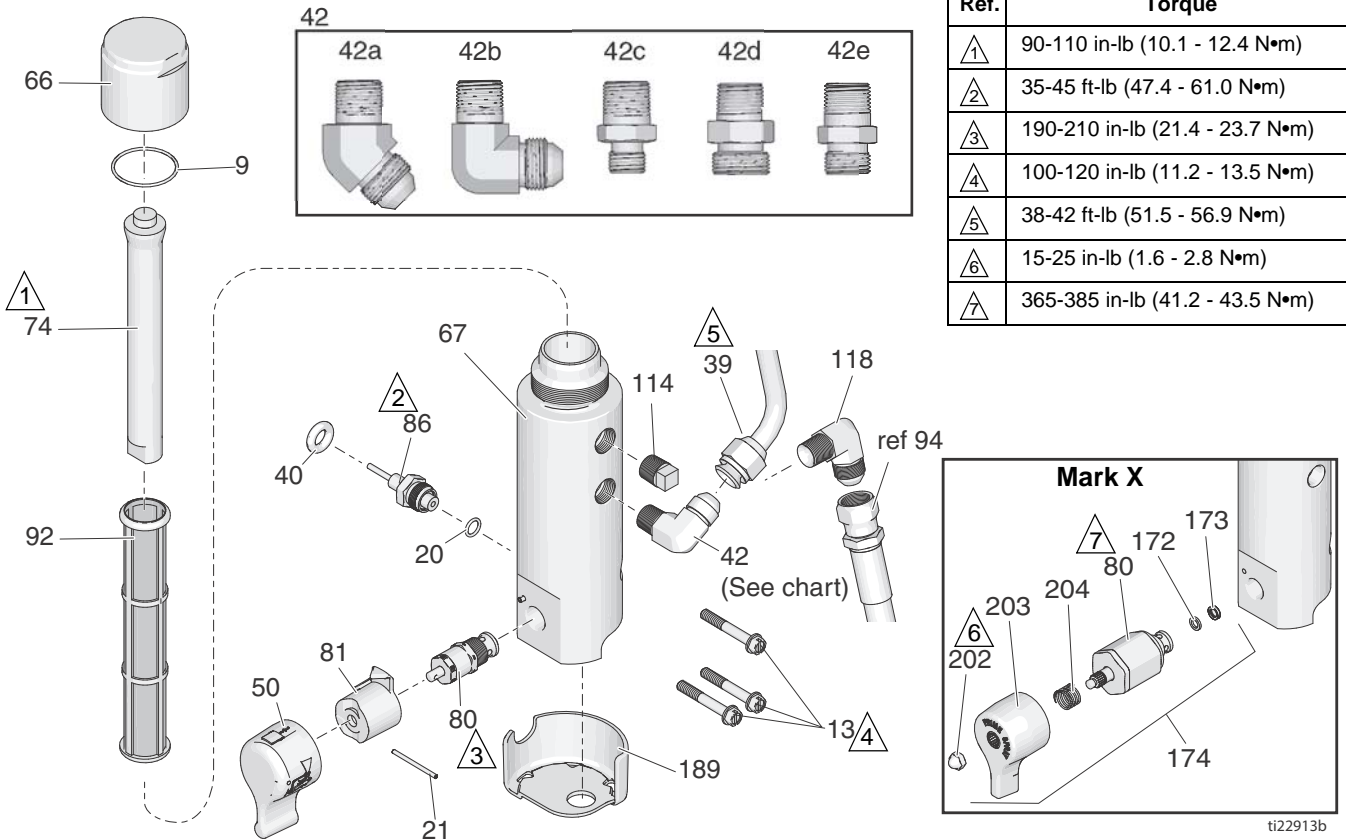
ti23180a

Parts List

Ref.	Part	Description	Qty.	Ref.	Part	Description	Qty.
23	117791	SCREW, cap, flange head	2	75b		China/Australia	1
26	114391	SCREW, grounding	1	242005		695/795/1095/Mark IV/Mark V	
32	115522	SCREW, mach, pnh (ProContractor/IronMan series)	3	17A242		Mark X	
33	15C979	SWITCH, rocker, 120V	1	75c		Italy/Denmark/Switzerland	1
	15D527	SWITCH, rocker, 230V	1	287121		695/795/1095/Mark IV/Mark V	
34	116167	KNOB, potentiometer	1	253103		Mark VII/Mark X Models	
38	16V095	SCREW, #10, taptite phil	4	75d	242001	EU CEE 7/7	1
45	119541	SWITCH, toggle, (ProContractor/IronMan series)	1	75e	244285	Japan	1
49	195428	BOOT, toggle (ProContractor/IronMan series)	1	82	256219	POTENTIOMETR, assembly	1
52		CONTROL, board; <i>includes 23, 26, 60,</i> <i>131, 142, 144, box not sold separately</i>	1	88	16Y496	DISPLAY	1
	24P847	120V Models		96		COVER, control	1
	24P848	240V Models		24V061		ProContractor/IronMan series; <i>includes 32, 38, 63, 65, 68</i>	
59▲		LABEL, warning	1	24V062		Standard series; <i>includes 38, 63, 68</i>	
	16G596	Europe		115	15C973	GASKET	1
	16Y762	Asia/ANZ		131		SCREW/PLUG	2
	16Y761	Japan		119228		Eurpoe/Asia/Australia	
60	16T541	JUMPER WIRE (Japanese models)	1	16T482		Japan	
63	16X796	LABEL, LCD, GMAX (ProContractor/IronMan series)	1	137		RETAINER, plug adapter	
	16Y785	LABEL, control box cover, ultra (Standard series)	1	195551		695/795/1095/Mark IV/Mark V	
65	16X797	LABEL, control box cover, ultra (ProContractor/IronMan series)	1	121249		Mark VII/Mark X Models	
68	16Y789	LABEL, control (ProContractor/IronMan series)	1	142		SWITCH/PLUG	1
	16Y786	LABEL, control (Standard series)	1	16T483		695/795/1095/Mark IV/Mark V	
70	122507	SWITCH, reed (ProContractor/IronMan series)	1	126029		Mark VII/Mark X Models (10/16 amp)	
	16Z019	LIGHT, ProGuard (Standard series)	1	120059		UK Mark V (15/20 amp)	
73	100187	NUT	1	143	15G935	CONNECTOR, electrical	1
75		CORD, power	1	144		STRAIN RELIEF	1
	17J160	695/795/1095, Japanese Models		16T546		695/795/1095/Mark IV/Mark V	
	15H065	Mark V, Japanese Models		16T547		695/795/1095 Japanese Models	
	15D528	EU CEE 7/7		16T544		Mark VII/Mark X Models	
	15D529	EU Multicord		116171		Mark V, Japanese Models	
	15D530	UK		145	117745	BUSHING, strain relief (Mark VII/Mark X Models)	1
	16M834	Mark VII EU CEE 7/7		147	24V030	KIT, repair, coil; <i>includes 150</i>	1
	16M836	Mark VII Multicord		148		BOARD, filter	1
	15G957	Mark X EU CEE 7/7		24R598		230V Models	
	15G938	Mark X Multicord		24R597		120V Models	
				24U823		Mark X	
				149	117625	NUT, locking	1
				150	16U215	SCREW, machine, flat head	1
				177	16Y791	LABEL, blank, elec, std (Standard)	1
					16Y790	ProContractor/IronMan	1
					16Y788	Mark X ProContractor	1

▲ Extra Danger and Warning tags and labels available free.

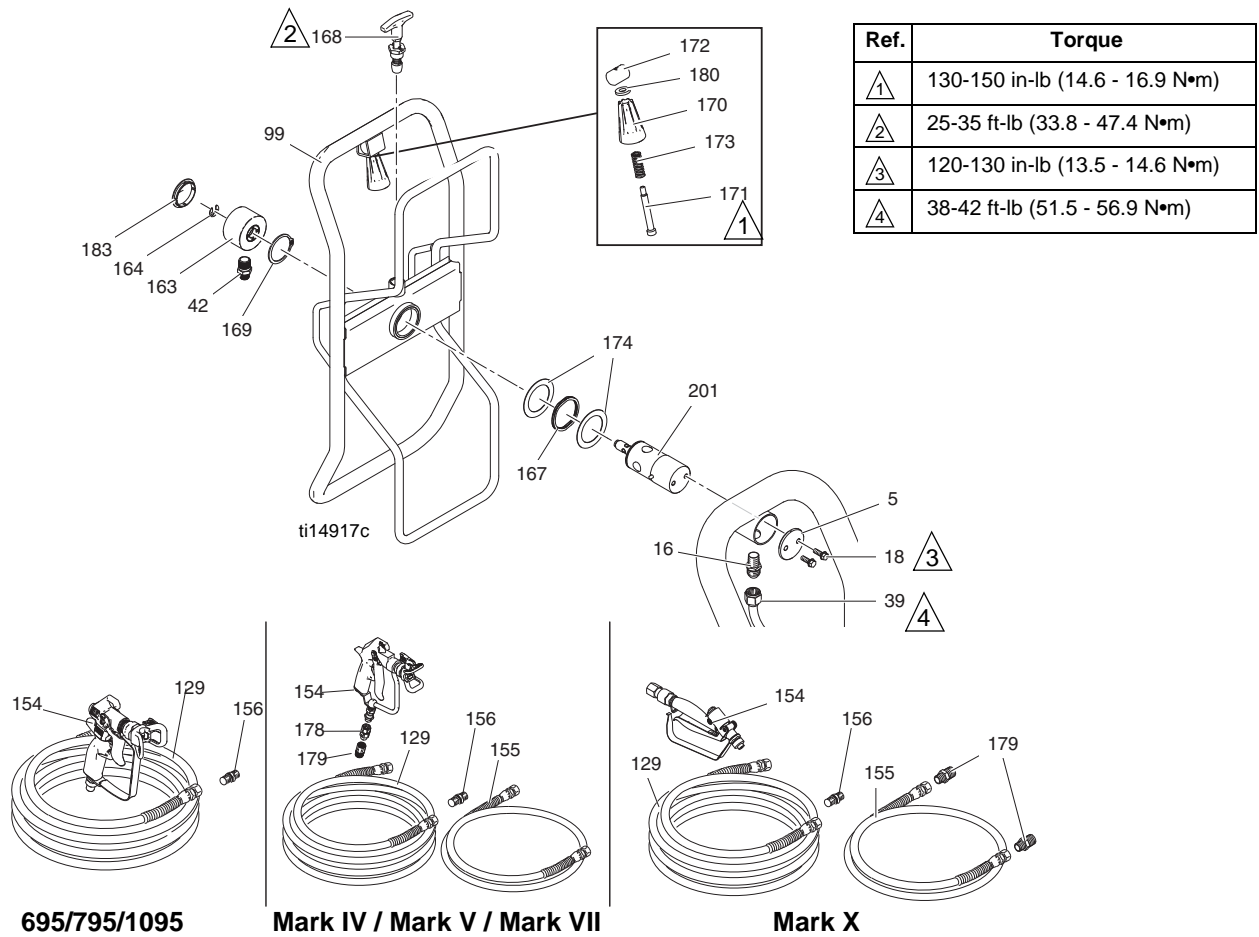
Filter



Parts List

Ref.	Part	Description	Qty.	Ref.	Part	Description	Qty.
9	117285	PACKING, o-ring	1	74	15C766	TUBE, diffusion	1
13	16U013	SCREW, cap, socket head	3	80	24B156	VALVE, prime, HD	1
20	111457	PACKING, o-ring	1		287879	VALVE, prime, Mark X	1
21	15C972	PIN, grooved	1	81		BASE, valve	1
39		TUBE, formed, ultra platinum	1		24A382	Standard series	
	24V095	695/795 Models			24D286	ProContractor/IronMan	
	24J081	1095/Mark V Models		86	243222	TRANSDUCER, pressure control;	1
	16M441	Mark X				<i>includes 20</i>	
40	121889	GROMMET, transducer	1	92		FILTER, fluid	1
42		FITTING	1		244071	30 mesh	
42a	122533	1095/Mark V/Mark VII (ProContractor series)			244067	60 mesh, original equipment	
42b	125926	695/795/Mark IV/Mark X (ProContractor series)			244068	100 mesh	
42c	164672	695/795/1095 (Standard series)			244069	200 mesh	
42d	196178	Mark IV/Mark V/Mark VII (Standard series)		114	104813	PLUG, pipe, 3/8	1
		1095/Mark V (IronMan series)		118	125926	FITTING, elbow	1
	183285	Mark X (Standard series)		172	193709	SEAT, valve	1
50		KIT, handle; <i>includes 21, 81</i>	1	173	193710	SEAL, seat, valve	1
	24E233	ProContractor/IronMan Series		174	245103	KIT, repair, valve, Mark X;	1
	24E234	Standard Series				<i>includes 80, 172, 173, 202, 203, 204</i>	
66	15C765	CAP, filter	1	189	17A197	GUARD, base, filter (ProContractor/IronMan Series)	1
67	16T543	BASE, filter	1	202	116424	NUT, Mark X	1
				203	15G563	HANDLE, valve, Mark X	1
				204	114708	SPRING, compression, Mark X	1

Hose Reel and Gun



Parts List

Ref.	Part	Description	Qty.	Ref.	Part	Description	Qty.
5	16C975	PLATE, Pivot Mount	1	191239	Mark VII/Mark X		
16	121311	FITTING, Connector, NPT x JIC	1	156	ADAPTER		1
18	260212	SCREW, Hex Washer HD	2	162453	695/795/1095		
39	24V095	TUBE, Formed, Ultra, Platinum	1	196178	Mark IV/Mark V		
	24J081	695/795 Models		158491	Mark VII/Mark X		
	16M441	1095/Mark V Models		163	24B248	CAP, swivel, complete	1
42	ADAPTER	Mark X	1	164	122347	RING, retaining, external	1
	164672	695/795/1095		167	122534	SPRING, wave	1
	196178	Mark IV/Mark V		168	24E400	PIN, pop, lock out	1
	159239	Mark VII/Mark X		169	122524	RING, retaining, external	1
99	24B691	REEL, hose, ultra	1	170	278085	HANDLE, swivel	1
129	HOSE, coupled	Mark IV/Mark V		171	122518	PIN	1
	240794	695/795/1095	2	172	15X618	NUT, pin	1
	245225	Mark IV/Mark V	2	173	122542	SPRING	1
	278499	Mark VII/Mark X	2	174	122607	WASHER, flat	2
154	GUN, spray	Mark VII/Mark X		178	189018	SWIVEL	1
	288420	695/795/1095	1	179	BUSHING		
	241705	Mark V/Mark VII Models	1	159841	Mark IV/Mark V/Mark VII		1
	246468	Mark IV Models	1	159239	Mark X		2
	245820	Mark X	1	180	122669	WASHER	1
155	HOSE, whip	Mark IV, Mark V	1	183	122787	CAP	1
	241735	Mark IV, Mark V	1	201	24E016	TUBE, Hose Reel, Pivot	1